

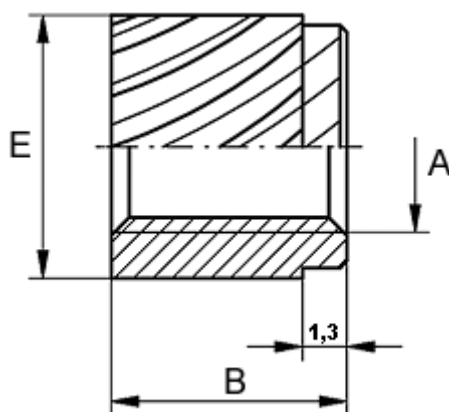
# Data Sheet



Article number: 12890000020100  
Description: KLEE-coil 890 000 020.100  
M2 Hardened/zinc-pl.

## Measures

---



Female thread A	= M2
Length B	= 5.6
Min material thickness	= 2.0
Outer diameter E	= 3.9
Recommended bore diameter	= 3.4
Type	= 890 000 020.100